



Easy Toilet Services

E-Toilet Services Limited

Beggars Roost, Sedge Green, Nazeing, Essex, CM19 5JR

TEL: +44 (0)1992 44 22 97

FAX: +44(0)1992 899 441

Email: info@ets.co.uk

Web: www.etoiletsales.co.uk

A PRIVATE SPACE IN A PUBLIC PLACE

ETS Vacuum Module mod.1000/1300 mm T-Easy Transversal Technical Data Sheet



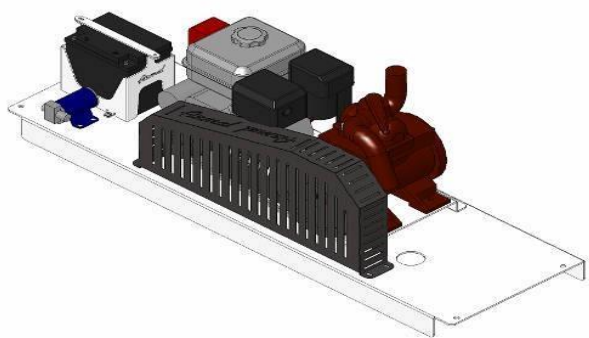
Water pump max capacity: 8 l/min (up to 18 l/m depending on the pump model)
Max pressure: 4 bar (up to 7 bar depending on the pump model)



Maximum Decompressor capacity: 1980 l/min or 2500 l/min (depending on the model)
Maximum Decompressor pressure: 1,5 bar
Maximum Vacuum Pressure: 0,89 bar
Lubrication OIL decompressor: ISO VG 100
Hoses: pressure max 10 bar



Noise reducer and waste oil filter (optional)



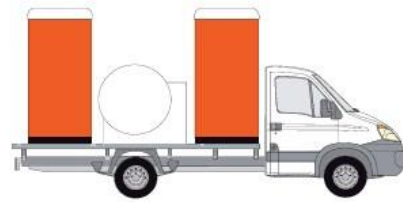
Mechanical and Technical Characteristics:
The T-EASY vacuum modules differ by the fact that instead of a hydraulic system, they have a mechanical belt transmission system.
The decompressor is powered by a petrol-fuelled combustion engine (8.5 CV) by means of a belt transmission with centrifugal clutch.
The 12 V AC water pump is electric.
The system is mechanically independent; connected, the system can be made to function on stand-alone configuration.
Environmental operating conditions:
Operating temperature from 0°C to 40°C.



STANDARD EQUIPMENT

Manhole allows the tank inspection and internal cleaning

The water tank is installed under the wastewater tank to improve stability and weight balance on the truck floor. It is provided with 3 plastic level check eye holes to monitor presence of water.



The transversal type saves room on the truck wheelbase, so it allows the transportation of four Armal toilets.

Hoses	Mod. 1000 mm	Mod. 1300 mm
Waste suction hoses length (No.1)	9,50 m	12,50 m
Washing hoses length with automatic hose reel (No.1)	10 m	10 m

Auxiliary Engine	Honda mod. GX390
Cylinder capacity	163 cm ³
Power max.	3.6 KW @ 3600rpm 4.8 HP @ 3600 rpm
Torque max.	10.3 Nm @ 2500 rpm 1.05 kgm @ 2500 rpm
Consumption	1.4 l/h @ 3600 rpm
Fuel	Petrol
Ignition	Pull start with self-winding (electric optional)
Battery	Optional



Dimensions	Mod. 1000 mm	Mod. 1300 mm
Tanks capacity	1100 l waste – 430 l water	2000 l waste – 640 l water
Length	1440 mm	1900 mm
Width	2105 mm	2105 mm
Height	1500 mm	1900 mm
Weight	615 kg	795 kg

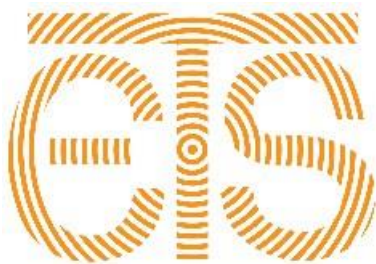


Vacuum modules are in compliance with CE Markings and supplied with CE conformity declaration

Optional Extras

The machine may be fitted with systems and special installations according to the Customer's specific needs:

-an odour abatement system composed of an electronic control unit operating an electric pump which vaporizes and emits a scented liquid into the drainage hoses of the decompressor to eliminate or reduce the production of unpleasant odours during the operating phases especially during suction of organic waste.



Easy Toilet Services

For further information, please contact

E-Toilet Services Limited

Unit 7 Millbrook Business Park, Hoe Lane, Nazeing, Essex EN9 2RJ

TEL: +44 (0)1992 899 453

FAX: +44(0)1992 899 441

Email: toilets@ets.co.uk

Web: www.etoiletsales.co.uk

A PRIVATE SPACE IN A PUBLIC PLACE